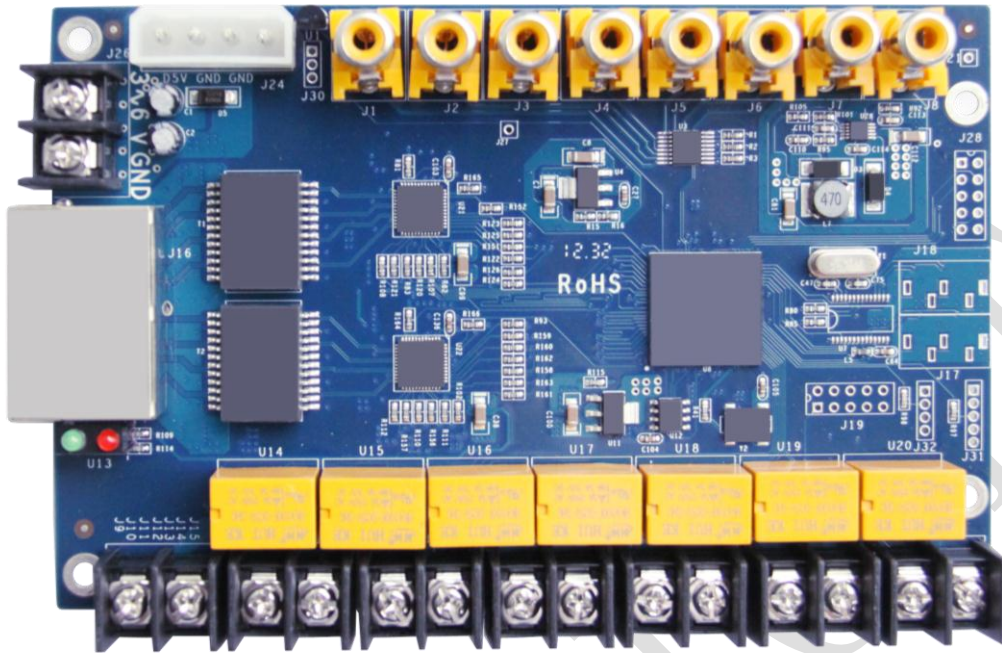
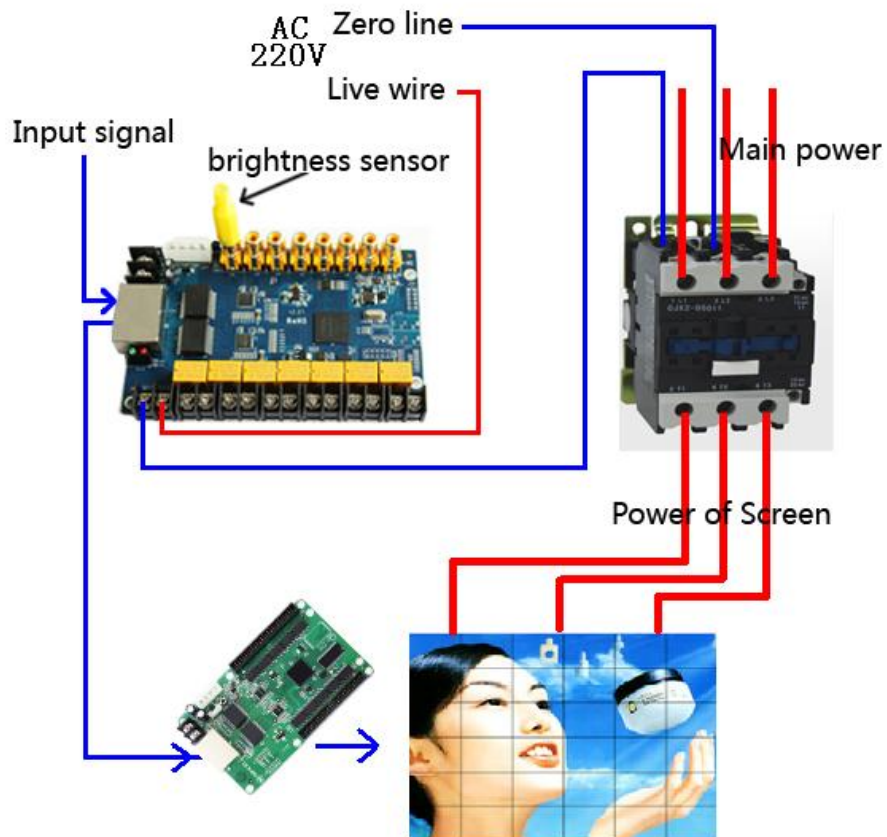


## Operation of Multifunction card--M9



### i. Remote power control

#### 1. Hardware connection



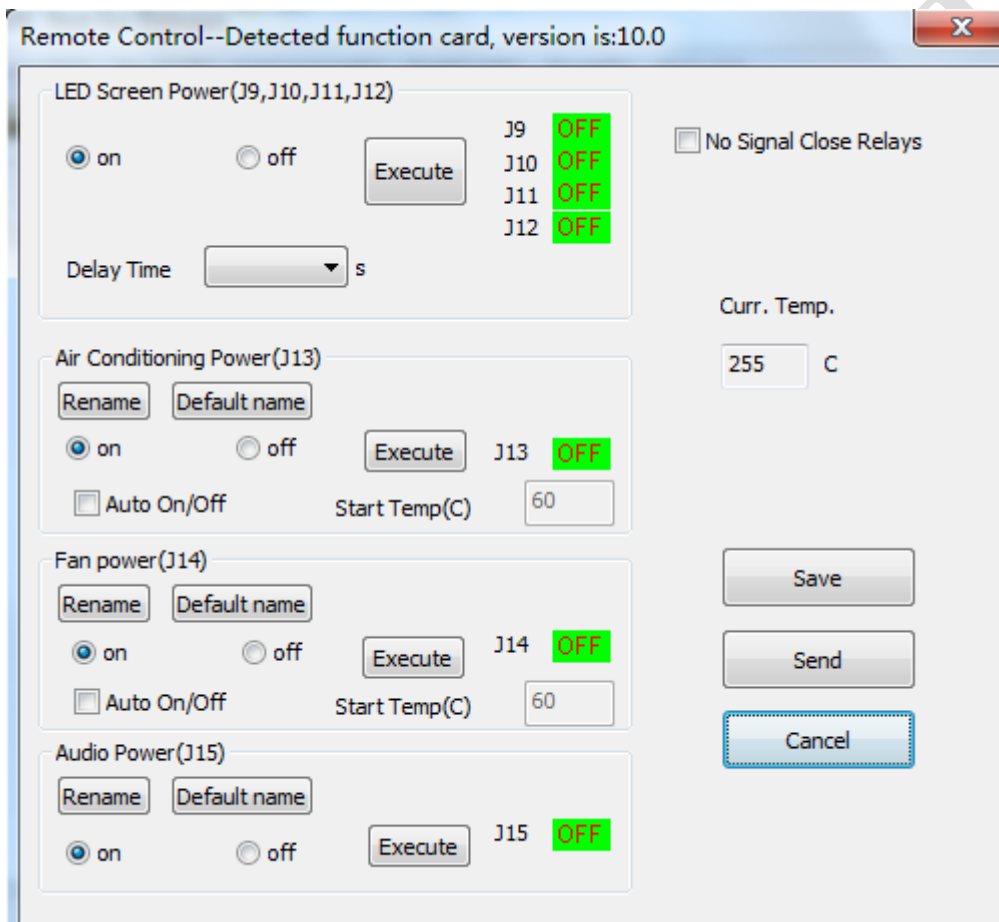
Multifunction card is connected between receiving card and sending card (NIC). J9-J15 are the control interface of relay switch, they control the main power of screen throw the AC contactor.

**Notice: Do not connect both the live wire and zero line to the multifunction card!**

J9~J12 are controlled by one switch on software, J13/J14/J15 should be controlled independent. You should connect them when needed.

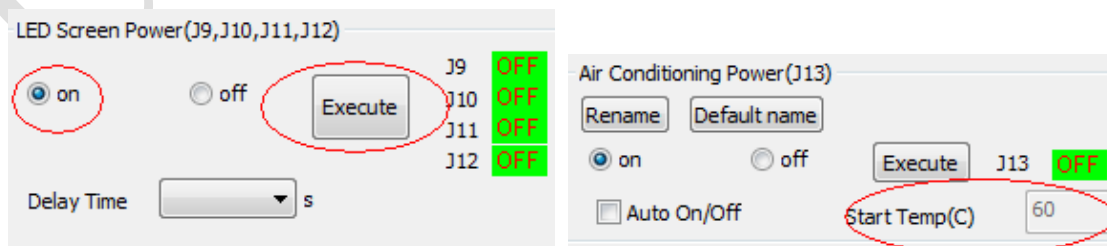
2. Operation on software

Open software,[Setting]—[Remote Control],interface will show as below.



When you want to turn on the switch throw J9~J12/J13/J14/15,select [on] and click [Execute]. Select [off] and execute, the switch will be off.

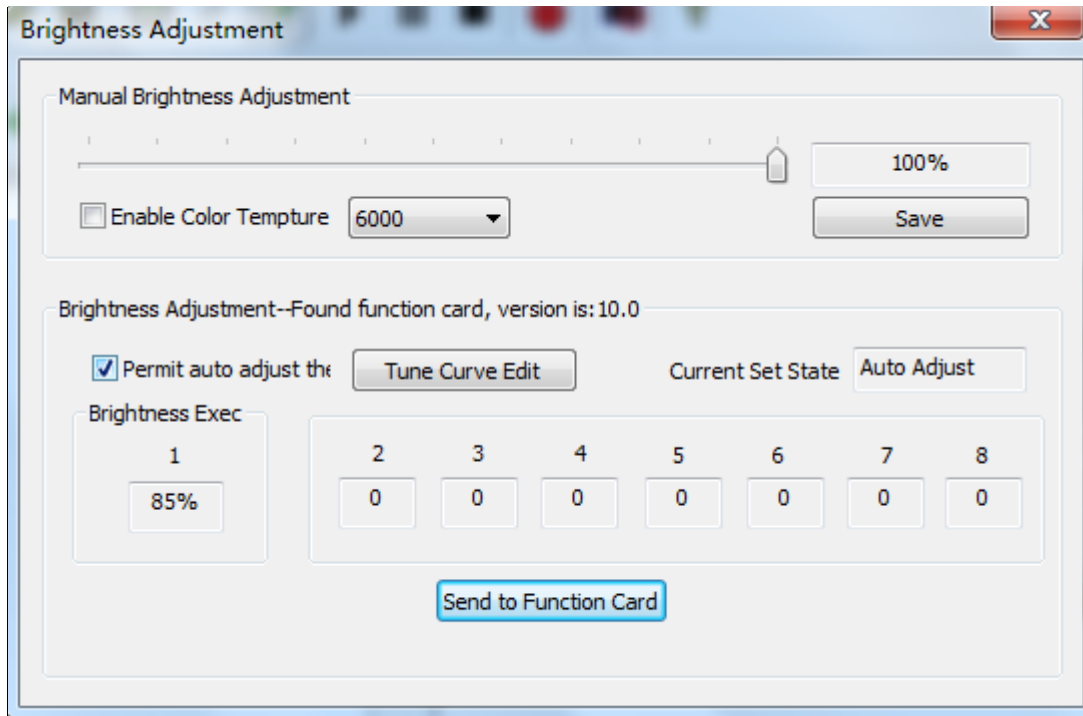
Select [No Signal Close Relays],the relays will be controlled by the input signal on and off.



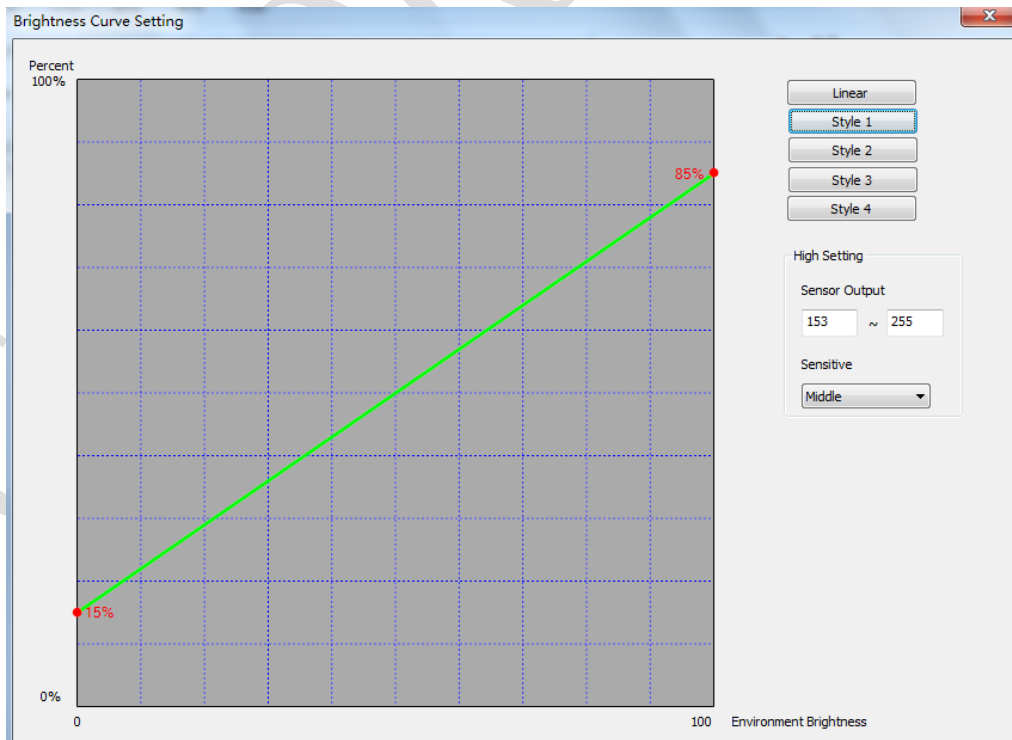
J9~J12 are controlled at the same time, J13 and J14 should be controlled throw temperature.

## ii. Brightness adjustment

Multifunction card has brightness adjustment function, the brightness sensor connect to J1. Open [Setting]—[Brightness Adjustment] on software.



After select [Permit auto adjust], and send to function card, the function card will adjust the brightness of LED screen throw the data got from brightness sensor. The number in [Brightness Executed] is the current brightness level of Led screen.



The maximum and minimum brightness should be set according to the needs.

iii. **Sound Transmission**(Customize)

It must work with sending card T7(audio), the audio interface must be added on function card and sending card. Audio signal input on sending card and output on function card.

COLORLIGHT