

LED Control Card and LED Display Module Shop

www.ledcontrolcard.com

DBSTAR3D Vision ready LED CONTROLLER use manual

version: 1

date: 2011.03.18

department: technical department

catalogue:

catalogue:	1
一、 3Ddisplay basic requirement.....	2
二、 LED CONTROLLER basic para and way of using.....	4
三、 3D glasses small common sense.....	6

一、 3Ddisplay requirement

PC basic configuration requirement,

Microsoft Windows VISTA 32/64-bit or Windows7 32/64-bit

[Dbstar LED](#) ,[LED Control Card](#) ,[LED Display Module](#)

LED Control Card and LED Display Module Shop

www.ledcontrolcard.com

Intel core 2 Duo or AMD Athlon X2 CPU or higher

1GB of system memory (2GB is recommended)

100MB free disk space

support displays (support 120HZ refresh displays)

Acer GD245HQ/GD23HZ 120 HZ LCD display

Alienware OPTX AW 2310 120 HZ LCD display

Samsung SyncMaster 2233RZ 120 HZ LCD display

ViewSonic FuHzion VX2265 wm 120HZ LCD display

三、 video card requirement,

- a) GeForce 8 Series
 - i. NVIDIA GfForce 8800GT
 - ii. NVIDIA GfForce 8800GTS
 - iii. NVIDIA GfForce 8800GTS 512
 - iv. NVIDIA GfForce 8800GTX
 - v. NVIDIA GfForce 8800 Ultra
- b) GeForce 9 Series
 - i. NVIDIA GfForce 9600GT
 - ii. NVIDIA GfForce 9800GT
 - iii. NVIDIA GfForce 9800GTX
 - iv. NVIDIA GfForce 9800GTX+
 - v. NVIDIA GfForce 9800GTX2
- c) ALL GeForce 200/100 Series or higher

一、 display requirement:

- a) above 1800HZ refresh
- b) above 1600CD the display brightness (Depending on the specific situation)

[Dbstar LED](#) , [LED Control Card](#) , [LED Display Module](#)

LED Control Card and LED Display Module Shop

www.ledcontrolcard.com

C) the screen display better effect may no less than 640x480 ((depending on the video specific)

Note: To achieve the above two points required which should be meet below conditions:

Static screen or 4 scan screen is the best , others may according to the specific situation,

Clock may achieve to 20MHZ, Length less than 64 is better.

reduce gray effect and gray level to realize are also OK (After wearing glasses some low gray will be filter)

Note: our 3D system is commonly used with nVIDIA [3D Vision](#) in the market, (if no simple red blue、red rate3D, you may wear nVIDIA [3D Vision](#) glasses, or post 3D film on the screen)。 Above three requirements is the basic requirement of 3D displays (display can not use), the forth requirement is the customer supplying your screen basic requirement 。

二、LED CONTROLLER parameter and application

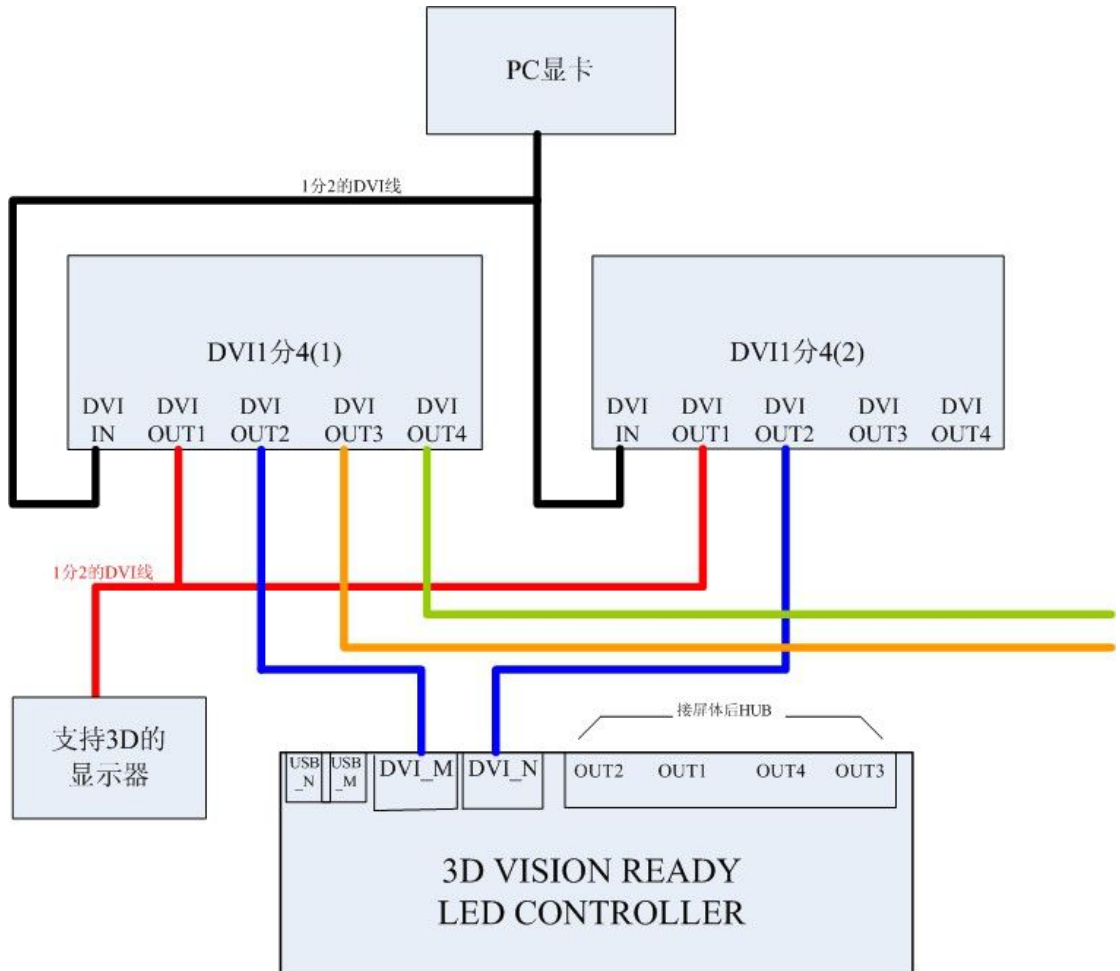
1. the size of each network :

when the image output area of the column number < 640 , the maximum number of row can only be set to 512, while each network port output length can reach to 1280, the height is set to the half of the number of rows . (length of the network port output = set length $\times 2$, height of the network port output = set height / 2)。

when the image output area of the column number more than 640 and smaller than 960, while each network port output length can reach to 256, while each network port output length can reach to 1920, the height is set to the half of the number of rows . (length of the network port output = set length $\times 2$, height of the network port output = set height / 2)。

NOTE : one pcs of LED CONTROLLER maximum can drive 1920 x 512, or 1280 x 1024

2. way of connection :



3. para sending :

- When you send para, both USB_M and USB_N can send the same parameter , meanwhile only single USB connect USB_N sending the parameter ,the HUB may effect。
- Array setting:
 - network port OUT1 is 1, the junction implement is 1。
 - network port OUT2 is 1, the junction implement is 2。
 - network port OUT3 is 2, the junction implement is 3
 - network port OUT4 is 2, the junction implement is 2

LED Control Card and LED Display Module Shop
www.ledcontrolcard.com

[Dbstar LED](#), [LED Control Card](#), [LED Display Module](#)